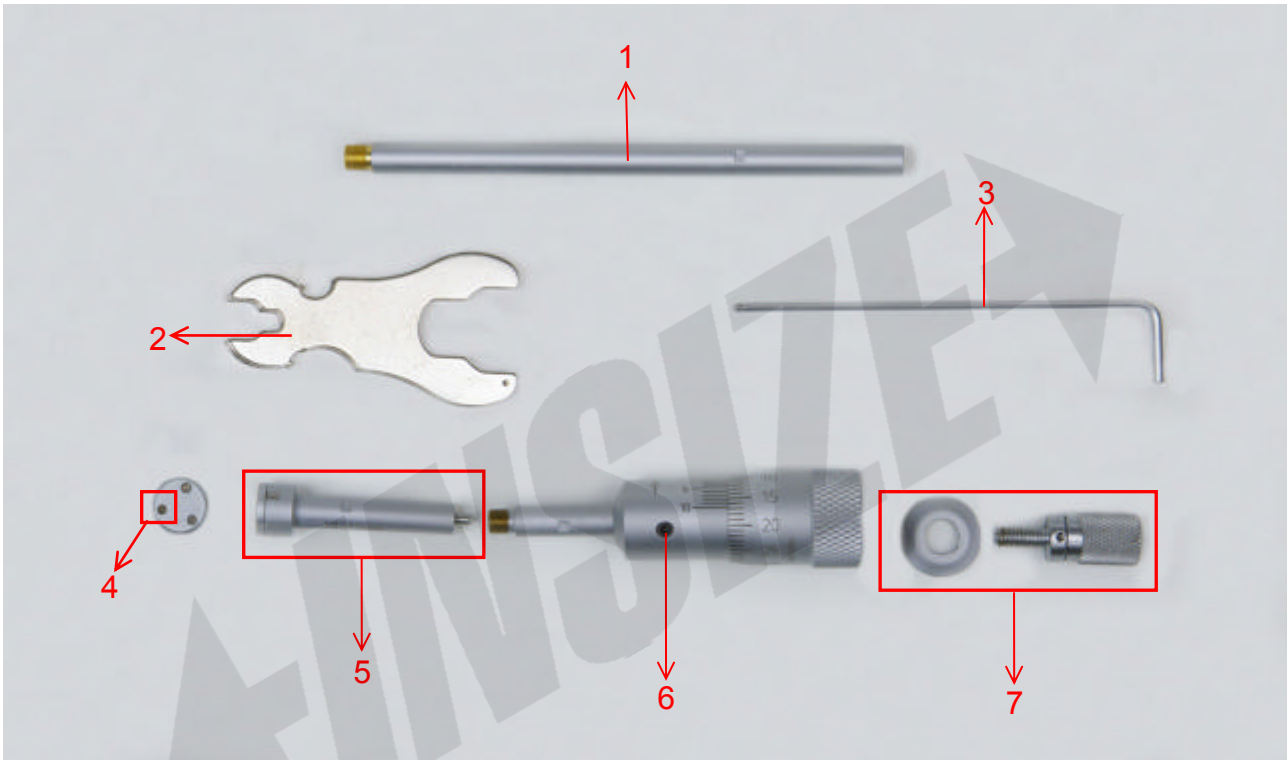
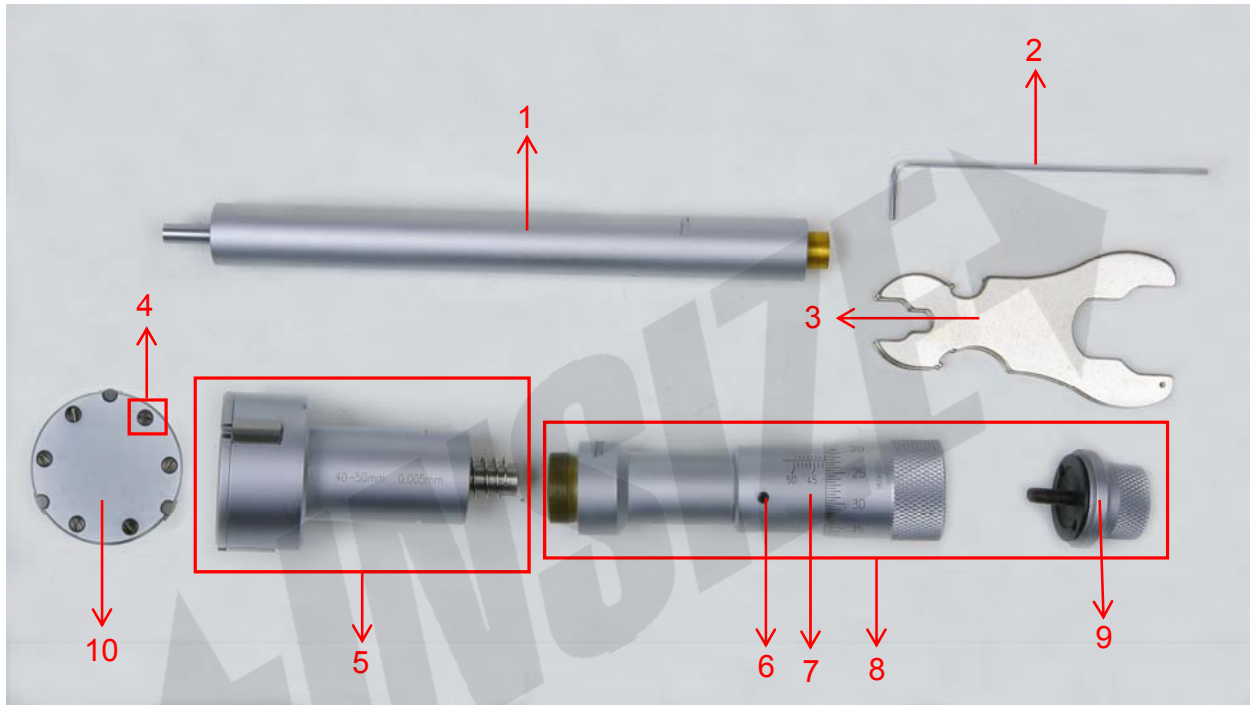


Spare parts for three points internal micrometer 3227-B series



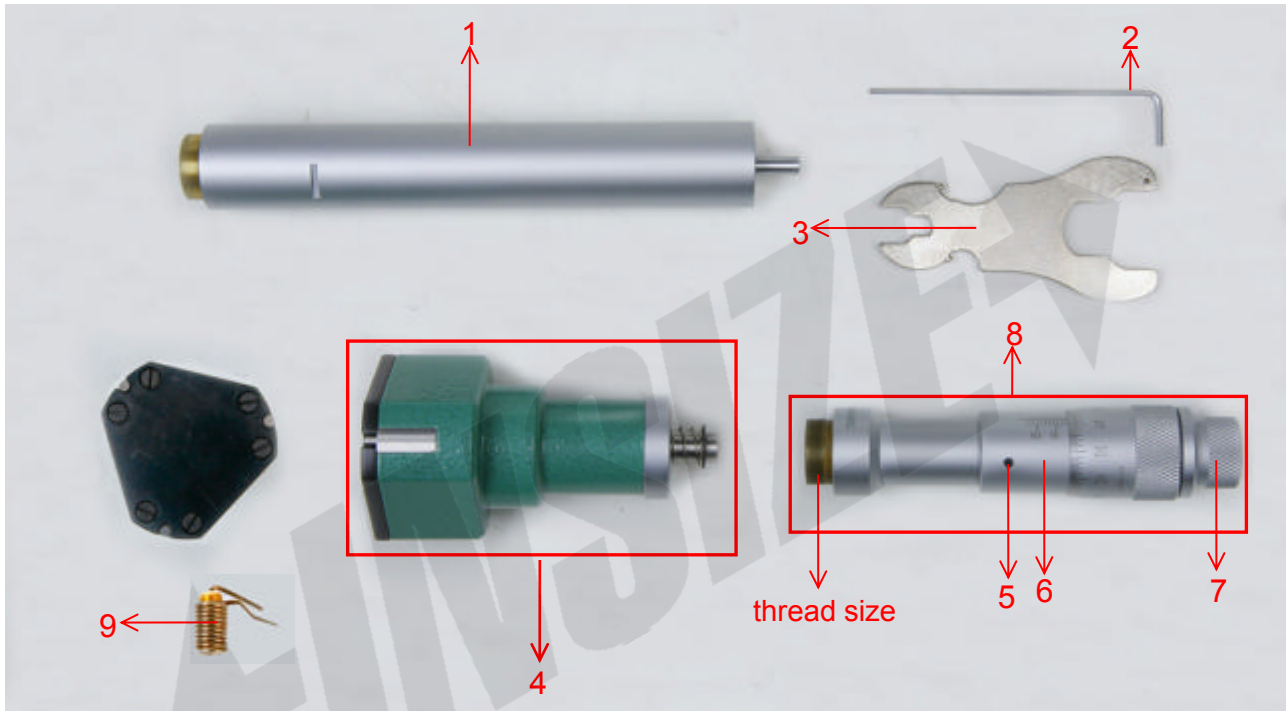
Part NO.	Code	Description
1	SP-POLE-3227-1	100mm Extension rod for 3227-8/-10/-12
	SP-POLE-3227-E-1	4" Extension rod for 3227-E035/-E043/-E05
2	SP-WRENCH	Wrench
3	SP-SPANNER-3227-2	Hex wrench
4	SP-HEAD SCREW-3227-8	Screw for measuring head (3227-8)
	SP-HEAD SCREW-3227-10	Screw for measuring head (3227-10)
	SP-HEAD SCREW-3227-12	Screw for measuring head (3227-12)
5	SP-MEASURING HEAD-3227-8	Measuring Head (3227-8)
	SP-MEASURING HEAD-3227-10	Measuring Head (3227-10)
	SP-MEASURING HEAD-3227-12	Measuring Head (3227-12)
	SP-MEASURING HEAD-3227-E035	Measuring Head (3227-E035)
	SP-MEASURING HEAD-3227-E043	Measuring Head (3227-E043)
	SP-MEASURING HEAD-3227-E05	Measuring Head (3227-E05)
6	SP-SCREW-3227-1	Screw
7	SP-RACHET-2	Measuring force device

Spare parts for three points internal micrometer 3227-C series



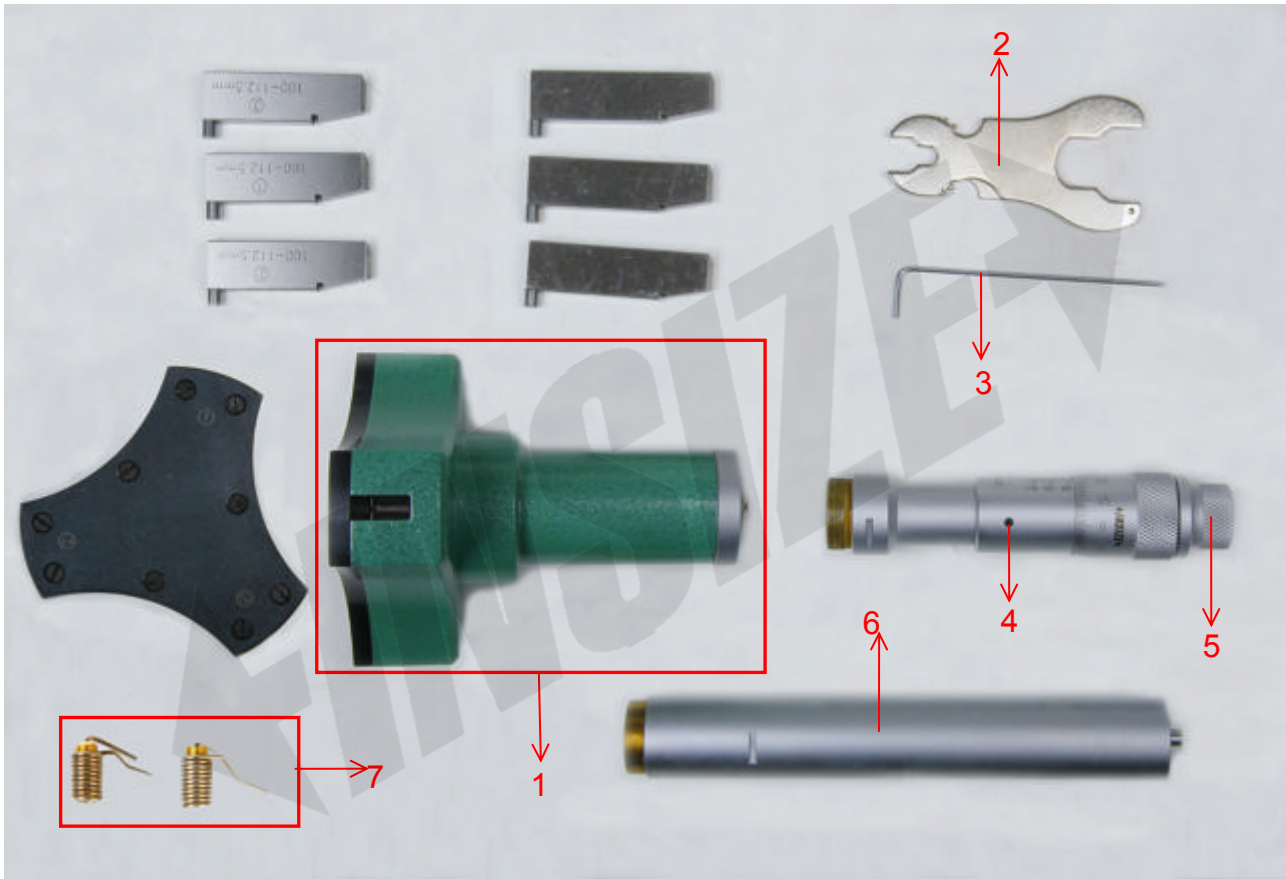
Part NO.	Code	Description
1	SP-POLE-3227-2	150mm Extension rod for 3227-16/-20
	SP-POLE-3227-3	150mm Extension rod 3227-25/-30
	SP-POLE-3227-4	150mm Extension rod 3227-40/-50
	SP-POLE-3227-E-2	6" Extension rod for 3227-E065/-E8
	SP-POLE-3227-E-3	6" Extension rod for 3227-E1/-E112
	SP-POLE-3227-E-4	6" Extension rod for 3227-E16/-E2
2	SP-SPANNER-3227-2	Hex wrench
3	SP-WRENCH	Wrench
4	SP-HEAD SCREW-3227-16	Screw for measuring head (3227-16)
	SP-HEAD SCREW-3227-20	Screw for measuring head (3227-20)
	SP-HEAD SCREW-3227-30	Screw for measuring head (3227-30)
	SP-HEAD SCREW-3227-40	Screw for measuring head (3227-40)
5	SP-MEASURING HEAD-3227-16	Measuring Head (3227-16)
	SP-MEASURING HEAD-3227-20	Measuring Head (3227-20)
	SP-MEASURING HEAD-3227-25	Measuring Head (3227-25)
	SP-MEASURING HEAD-3227-30	Measuring Head (3227-30)
	SP-MEASURING HEAD-3227-40	Measuring Head (3227-40)
	SP-MEASURING HEAD-3227-50	Measuring Head (3227-50)
	SP-MEASURING HEAD-3227-E065	Measuring Head (3227-E065)
	SP-MEASURING HEAD-3227-E08	Measuring Head (3227-E8)
	SP-MEASURING HEAD-3227-E1	Measuring Head (3227-E1)
	SP-MEASURING HEAD-3227-E112	Measuring Head (3227-E112)
	SP-MEASURING HEAD-3227-E16	Measuring Head (3227-E16)
	SP-MEASURING HEAD-3227-E2	Measuring Head (3227-E2)
6	SP-SCREW-3227-1	Fixed Screw for sleeve
7	SP-SLEEVE-3227-16	Fixed sleeve (3227-16)
8	SP-UPPER PART-3227-40	Upper part for 3227-40
	SP-UPPER PART-3227-50	Upper part for 3227-50
9	SP-RATCHET-3227-2	Measuring force device for 12-20mm
	SP-RATCHET-3227-1	Measuring force device for 20-50mm
10	SP-BOTTOM PLATE-3227-40	Bottom plate for 3227-40

Spare parts for three points internal micrometer 3227-D1 series



Part NO.	Code	Description
1	SP-POLE-3227-5	150mm extension rod for 3227-63/-75/-88/-100 (the thread size is M21X0.5)
	SP-POLE-3227-5-1	150mm extension rod for 3227-63/-75/-88/-100 (the thread size is M18X0.5)
	SP-POLE-3227-E-5	6" extension rod for 3227-E25/-E3/-E35/-E4
2	SP-SPANNER-3227-2	Hex wrench
3	SP-WRENCH	Wrench
4	SP-MEASURING HEAD-3227-63	Measuring Head (3227-63, the thread size is M18X0.5)
	SP-MEASURING HEAD-3227-75	Measuring Head (3227-75, the thread size is M18X0.5)
	SP-MEASURING HEAD-3227-88	Measuring Head (3227-88, the thread size is M18X0.5)
	SP-MEASURING HEAD-3227-100	Measuring Head (3227-100, the thread size is M18X0.5)
	SP-MEASURING HEAD-3227-63-1	Measuring Head (3227-63, the thread size is M21X0.5)
	SP-MEASURING HEAD-3227-75-1	Measuring Head (3227-75, the thread size is M21X0.5)
	SP-MEASURING HEAD-3227-88-1	Measuring Head (3227-88, the thread size is M21X0.5)
	SP-MEASURING HEAD-3227-100-1	Measuring Head (3227-100, the thread size is M21X0.5)
	SP-MEASURING HEAD-3227-E25	Measuring Head (3227-E25)
	SP-MEASURING HEAD-3227-E3	Measuring Head (3227-E3)
	SP-MEASURING HEAD-3227-E35	Measuring Head (3227-E35)
SP-MEASURING HEAD-3227-E4	Measuring Head (3227-E4)	
5	SP-SCREW-3227-1	Fixed Screw for sleeve
6	SP-SLEEVE-3227-125	Fixed sleeve (3227-125)
7	SP-RATCHET-3227-1	Measuring force device
8	SP-UPPER PART-3227-63	Upper part for 3227-63(the thread size is M18X0.5)
	SP-UPPER PART-3227-63-1	Upper part for 3227-63(the thread size is M21X0.5)
	SP-UPPER PART-3227-88	Upper part for 3227-88(the thread size is M18X0.5)
	SP-UPPER PART-3227-88-1	Upper part for 3227-88(the thread size is M21X0.5)
	SP-UPPER PART-3227-100	Upper part for 3227-100(the thread size is M18X0.5)
	SP-UPPER PART-3227-100-1	Upper part for 3227-100(the thread size is M21X0.5)
9	SP-ANVIL SPRING-3227-63	Anvil spring for 3227-63/-75/-88/-100

Spare parts for three points internal micrometer 3227-D2 series



Part NO.	Code	Description
1	SP-MEASURING HEAD-3227-125	Measuring Head (3227-125, the thread size is M18X0.5)
	SP-MEASURING HEAD-3227-150	Measuring Head (3227-150, the thread size is M18X0.5)
	SP-MEASURING HEAD-3227-175	Measuring Head (3227-175, the thread size is M18X0.5)
	SP-MEASURING HEAD-3227-200	Measuring Head (3227-200, the thread size is M18X0.5)
	SP-MEASURING HEAD-3227-225	Measuring Head (3227-225, the thread size is M18X0.5)
	SP-MEASURING HEAD-3227-250	Measuring Head (3227-250, the thread size is M18X0.5)
	SP-MEASURING HEAD-3227-275	Measuring Head (3227-275, the thread size is M18X0.5)
	SP-MEASURING HEAD-3227-300	Measuring Head (3227-300, the thread size is M18X0.5)
	SP-MEASURING HEAD-3227-125-1	Measuring Head (3227-125, the thread size is M21X0.5)
	SP-MEASURING HEAD-3227-150-1	Measuring Head (3227-150, the thread size is M21X0.5)
	SP-MEASURING HEAD-3227-175-1	Measuring Head (3227-175, the thread size is M21X0.5)
	SP-MEASURING HEAD-3227-200-1	Measuring Head (3227-200, the thread size is M21X0.5)
	SP-MEASURING HEAD-3227-225-1	Measuring Head (3227-225, the thread size is M21X0.5)
	SP-MEASURING HEAD-3227-250-1	Measuring Head (3227-250, the thread size is M21X0.5)
	SP-MEASURING HEAD-3227-275-1	Measuring Head (3227-275, the thread size is M21X0.5)
SP-MEASURING HEAD-3227-300-1	Measuring Head (3227-300, the thread size is M21X0.5)	
2	SP-WRENCH	Wrench
3	SP-SPANNER-3227-2	Hex wrench
4	SP-SCREW-3227-1	Screw
5	SP-RATCHET-3227-1	Measuring force device
6	SP-POLE-3227-6	150mm extension rod for 3227-125/-150/-175/-200/-225/-250/-275/-300 (the thread size is M18X0.5)
	SP-POLE-3227-6-1	150mm extension rod for 3227-125/-150/-175/-200/-225/-250/-275/-300 (the thread size is M21X0.5)
7	SP-ANVIL SPRING-3227-D	Anvil spring for 3227(100-300mm), in pairs(left-hand and right-hand)