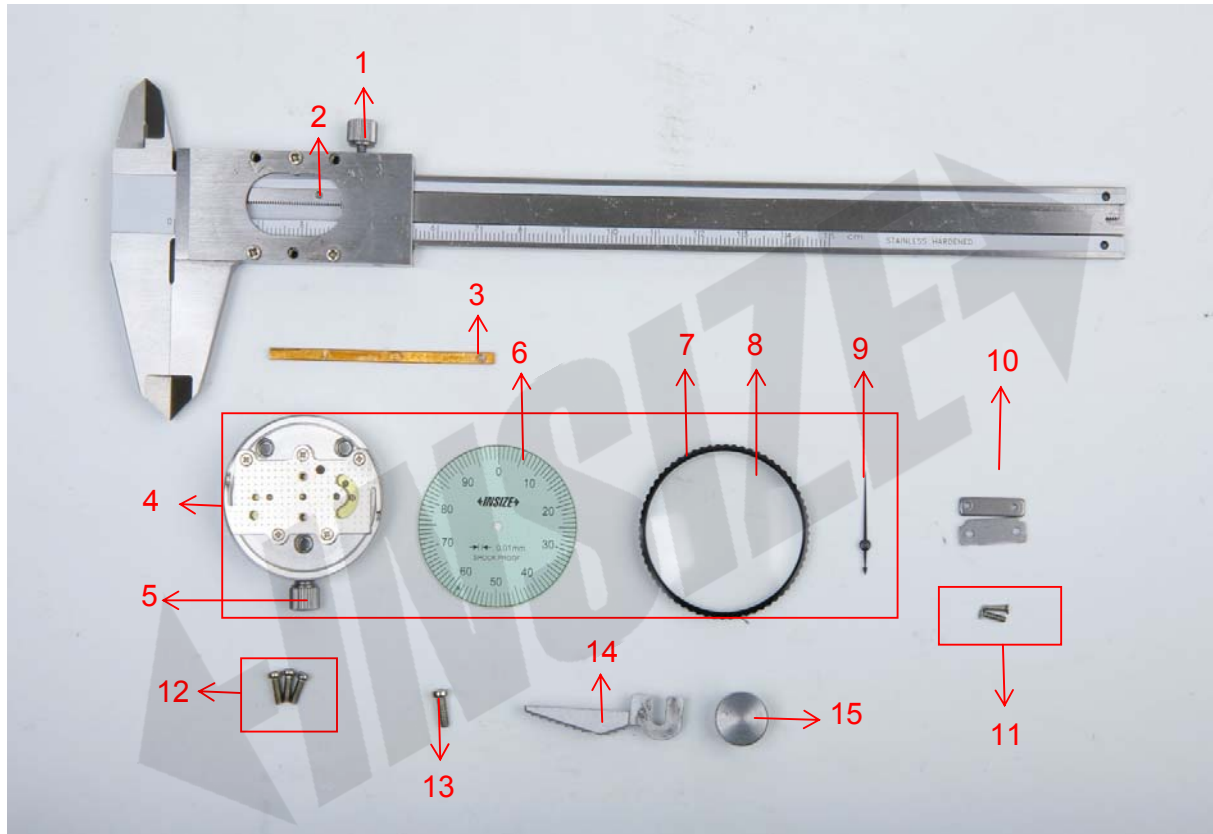
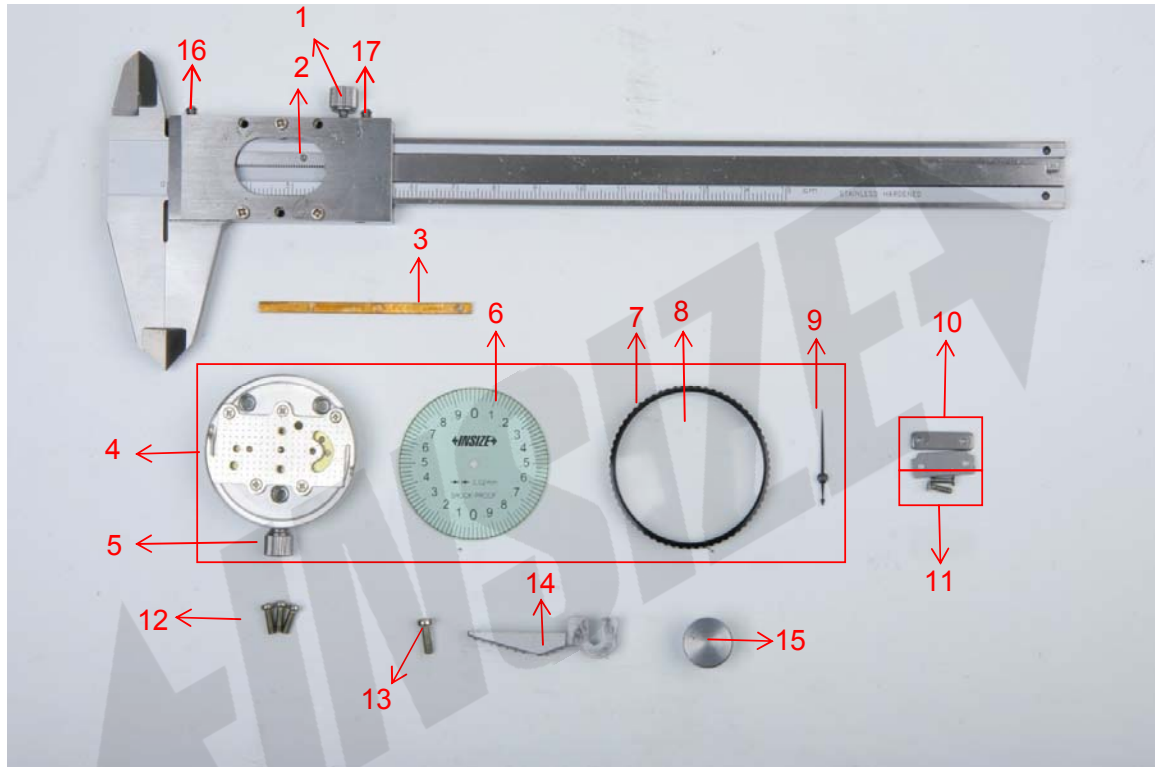


Spare parts for dial caliper 1311 series



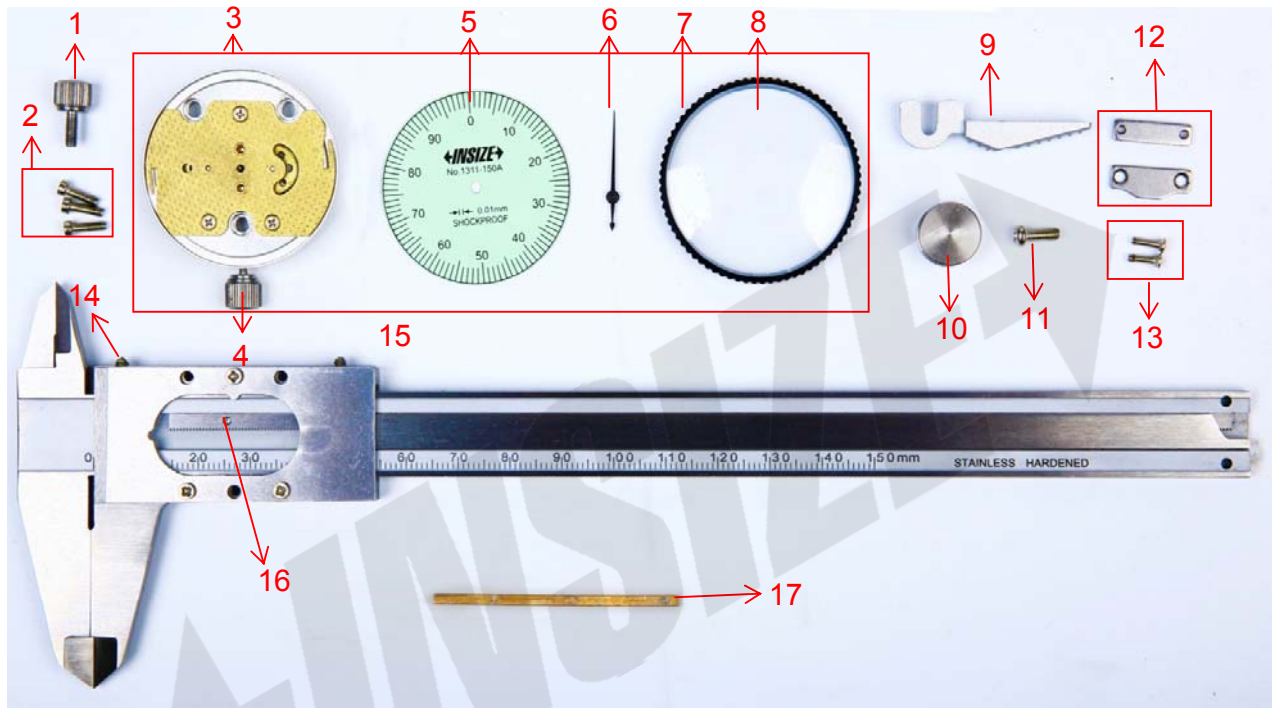
Part NO.	Code	Description
1	SP-LOCK-D3-150/200	Locking screw(-150/200)
	SP-LOCK-D4-300	Locking screw(-300)
2	SP-BAR SCREW-150/200	Bar screw(-150/200)
	SP-BAR SCREW-300	Bar screw(-300)
3	SP-STRIP-1312	Copper strip(-150/200/300)
4	SP-HEADER-1311-150/200	Header for 1311-150/200 (include 5, 6, 7, 8 and 9)
	SP-HEADER-1311-300	Header for 1311-300 (include 5, 6, 7, 8 and 9)
5	SP-LOCK-D5	Bezel Locking screw
6	SP-DIAL-150/200-1	Dial plat(-150/200)
	SP-DIAL-300-1	Dial plat(-300)
7	SP-BEZEL-150/200	Bezel(-150/200)
	SP-BEZEL-300	Bezel(-300)
8	SP-GLASS-150/200	Glass(-150/200)
	SP-GLASS-300	Glass(-300)
9	SP-CALIPER-POINTER-1311	Pointer(-150/200/300)
10	SP-BAFFLE-150/200	End stop plate (-150/200)
	SP-BAFFLE-300	End stop plate (-300)
11	SP-STOP SCREW-150/200	Stop screw (-150/200)
	SP-STOP SCREW-300	Stop screw (-300)
12	SP- MECHANISM SCREW-1312	Mechanism fixed screw
13	SP-SUPPORT SCREW-1312	Support fixed screw
14	SP-SUPPORT-150	Thumb wheel support(-150/200)
	SP-SUPPORT-300	Thumb wheel support(-300)
15	SP-WHEEL-GG150	Thumb wheel for 1311-150 with 3.2mm thickness main scale
	SP-WHEEL-GG150-1	Thumb wheel for 1311-150 with 3.5mm thickness main scale
	SP-WHEEL-GG200	Thumb wheel for 1311-200 with 3.5mm thickness main scale
	SP-WHEEL-GG300	Thumb wheel for 1311-300 with 4mm thickness main scale

Spare parts for dial caliper 1312 series



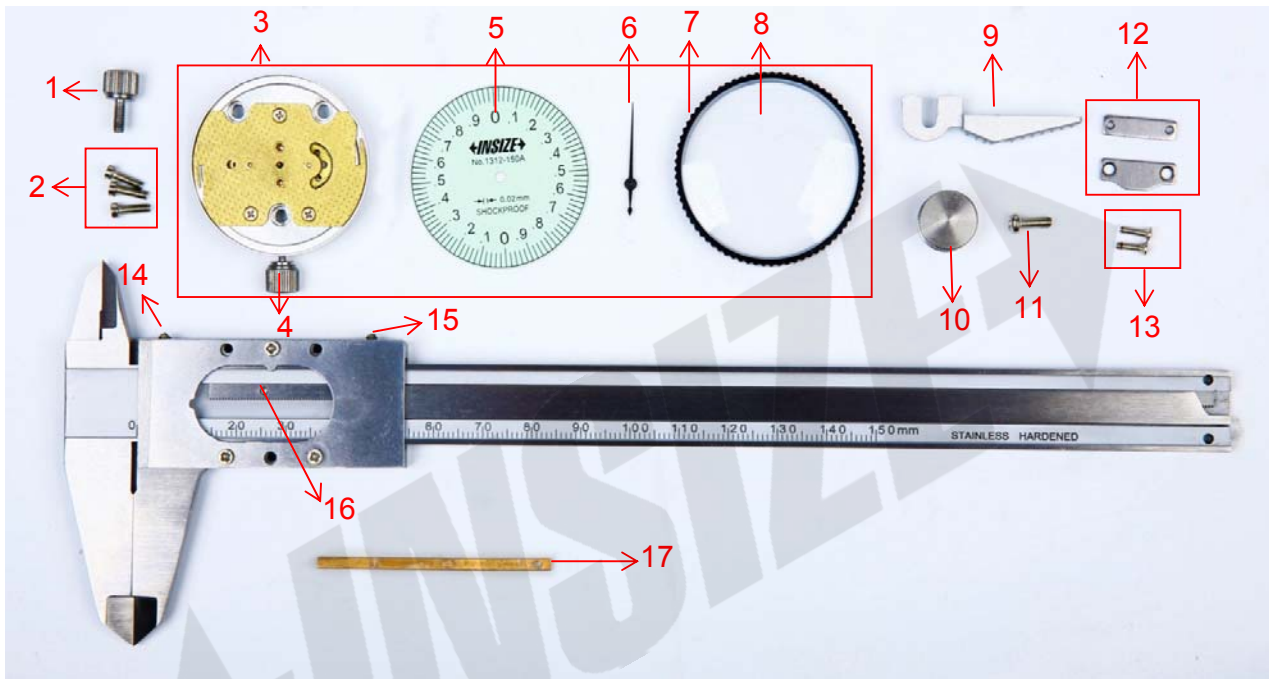
Part NO.	Code	Description
1	SP-LOCK-D3-150/-200	Locking screw(-150/-200)
	SP-LOCK-D4-300	Locking screw(-300)
2	SP-BAR SCREW-150/200	Rack fixed screw(-150/200)
	SP-BAR SCREW-300	Rack fixed screw(-300)
3	SP-STRIP-1312	Copper strip(-150/-200/-300)
4	SP-HEADER-1312-150/200	Header for 1312-150/-200 (include 5, 6, 7, 8 and 9)
	SP-HEADER-1312-300	Header for 1312-300 (include 5, 6, 7, 8 and 9)
5	SP-LOCK-D5	Bezel locking screw
6	SP-DIAL-150/200	Dial plat(-150/-200)
	SP-DIAL-300	Dial plat(-300)
7	SP-BEZEL-150/200	Bezel(-150/-200)
	SP-BEZEL-300	Bezel(-300)
8	SP-GLASS-150/200	Glass(-150/-200)
	SP-GLASS-300	Glass(-300)
9	SP-CALIPER-POINTER-1312	Pointer(-150/-200)
	SP-CALIPER-POINTER-1312-1	Pointer(-300)
10	SP-BAFFLE-150/200	End stop plate (-150/-200)
	SP-BAFFLE-300	End stop plate (-300)
11	SP-STOP SCREW-150/200	Stop screw (-150/-200)
	SP-STOP SCREW-300	Stop screw (-300)
12	SP- MECHANISM SCREW-1312	Mechanism fixed screw
13	SP-SUPPORT SCREW-1312	Support fixed screw
14	SP-SUPPORT-150	Thumb wheel support(-150/200)
	SP-SUPPORT-300	Thumb wheel support(-300)
15	SP-WHEEL-GG150	Thumb wheel for 1312-150A with 3.2mm thickness main scale
	SP-WHEEL-GG150-1	Thumb wheel for 1312-150A with 3.5mm thickness main scale
	SP-WHEEL-GG200	Thumb wheel for 1312-200A with 3.5mm thickness main scale
	SP-WHEEL-GG300	Thumb wheel for 1312-300A with 4mm thickness main scale
16	SP-STRIP SCREW-1312-1	Strip screw
17	SP-STRIP SCREW-1312-2	

Spare parts for dial caliper 1311 series



Part NO.	Code	Description
1	SP-LOCK-D2	Locking screw (-150/-200/-300)
2	SP- MECHANISM SCREW-1312	Mechanism fixed screw
3	SP-HEADER-1311-150-DY	Header for 1311-150 (include 4, 5, 6, 7 and 8)
	SP-HEADER-1311-200-DY	Header for 1311-200 (include 4, 5, 6, 7 and 8)
	SP-HEADER-1311-300-DY	Header for 1311-300 (include 4, 5, 6, 7 and 8)
4	SP-LOCK-D5	Bezel locking screw
5	SP-DIAL-1311-150-DY	Dial plat (-150)
	SP-DIAL-1311-200-DY	Dial plat (-200)
	SP-DIAL-1311-300-DY	Dial plat (-300)
6	SP-POINTER-1311-150/200	Pointer (-150/-200)
	SP-POINTER-1311-300	Pointer (-300)
7	SP-BEZEL-150/200	Bezel(-150/-200)
	SP-BEZEL-300	Bezel(-300)
8	SP-GLASS-150/200	Glass(-150/-200)
	SP-GLASS-300	Glass(-300)
9	SP-SUPPORT-150	Thumb wheel support (-150/200)
	SP-SUPPORT-300	Thumb wheel support (-300)
10	SP-WHEEL-GG150	Thumb wheel for 1311-150A with 3.2mm thickness main scale
	SP-WHEEL-GG150-1	Thumb wheel for 1311-150A with 3.5mm thickness main scale
	SP-WHEEL-GG200	Thumb wheel for 1311-200A with 3.5mm thickness main scale
	SP-WHEEL-GG300	Thumb wheel for 1311-300A with 4mm thickness main scale
11	SP-SUPPORT SCREW-1312	Support fixed screw
12	SP-BAFFLE-150/200-DY	End stop plate (-150/-200)
	SP-BAFFLE-300-DY	End stop plate (-300)
13	SP-STOP SCREW-150/200-DY	Stop screw (-150/-200)
	SP-STOP SCREW-300-DY	Stop screw (-300)
14	SP-STRIP SCREW-1312-1-DY	Strip screw
15	SP-STRIP SCREW-1312-2-DY	
16	SP-BAR SCREW-150/200-DY	Rack fixed screw (-150/200)
	SP-BAR SCREW-300-DY	Rack fixed screw (-300)
17	SP-STRIP-1312-DY	Copper strip (-150/-200)
	SP-STRIP-1312-1-DY	Copper strip (-300)

Spare parts for dial caliper 1312series



Part NO.	Code	Description
1	SP-LOCK-D2	Locking screw (-150/-200/-300)
2	SP- MECHANISM SCREW-1312	Mechanism fixed screw
3	SP-HEADER-1312-150-DY	Header for 1312-150 (include 4, 5, 6, 7 and 8)
	SP-HEADER-1312-200-DY	Header for 1312-200 (include 4, 5, 6, 7 and 8)
	SP-HEADER-1312-300-DY	Header for 1312-300 (include 4, 5, 6, 7 and 8)
4	SP-LOCK-D5	Bezel locking screw
5	SP-DIAL-1312-150-DY	Dial plat (-150)
	SP-DIAL-1312-200-DY	Dial plat (-200)
	SP-DIAL-1312-300-DY	Dial plat (-300)
6	SP-POINTER-1312-150/200	Pointer (-150/-200)
	SP-POINTER-1312-300	Pointer (-300)
7	SP-BEZEL-150/200	Bezel(-150/-200)
	SP-BEZEL-300	Bezel(-300)
8	SP-GLASS-150/200	Glass(-150/-200)
	SP-GLASS-300	Glass(-300)
9	SP-SUPPORT-150	Thumb wheel support (-150/200)
	SP-SUPPORT-300	Thumb wheel support (-300)
10	SP-WHEEL-GG150	Thumb wheel for 1312-150A with 3.2mm thickness main scale
	SP-WHEEL-GG150-1	Thumb wheel for 1312-150A with 3.5mm thickness main scale
	SP-WHEEL-GG200	Thumb wheel for 1312-200A with 3.5mm thickness main scale
	SP-WHEEL-GG300	Thumb wheel for 1312-300A with 4mm thickness main scale
11	SP-SUPPORT SCREW-1312	Support fixed screw
12	SP-BAFFLE-150/200-DY	End stop plate (-150/-200)
	SP-BAFFLE-300-DY	End stop plate (-300)
13	SP-STOP SCREW-150/200-DY	Stop screw (-150/-200)
	SP-STOP SCREW-300-DY	Stop screw (-300)
14	SP-STRIP SCREW-1312-1-DY	Strip screw
15	SP-STRIP SCREW-1312-2-DY	
16	SP-BAR SCREW-150/200-DY	Rack fixed screw (-150/200)
	SP-BAR SCREW-300-DY	Rack fixed screw (-300)
17	SP-STRIP-1312-DY	Copper strip (-150/-200)
	SP-STRIP-1312-1-DY	Copper strip (-300)