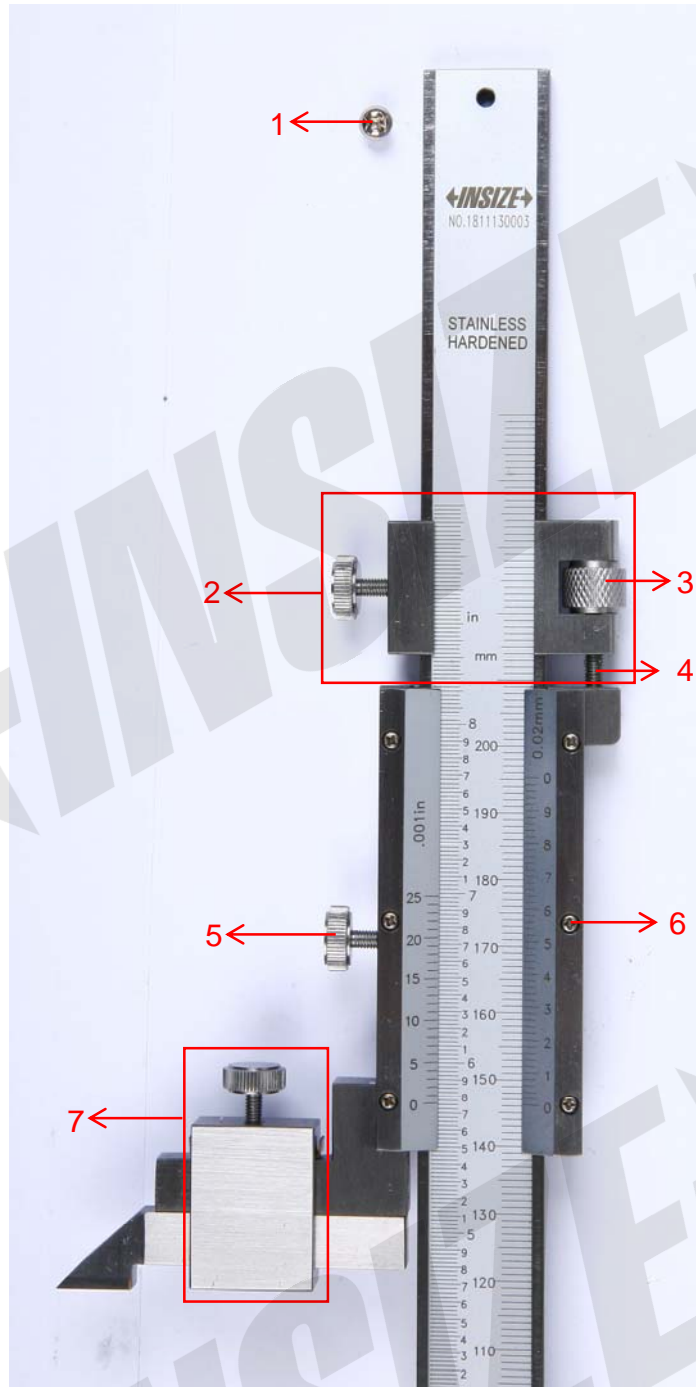


## Spare parts for vernier height gage 1253 series



Part NO.	Code	Description
1	SP-STOP-1253	Stop screw for 1253
2	SP-ADJUST-1253-1	Fine adjustment device for 1253-150
	SP-ADJUST-1253-2	Fine adjustment device for 1253-200
3	SP-ROLLER-1253	Roller
4	SP-ROLLER SCREW-1253	Roller screw
5	SP-LOCK-D3-150/200	Locking screw for 1253-150
	SP-LOCK SCREW-1253	Locking screw for 1253-200
6	SP-SLIDER SCREW-1253	Screw for vernier slider
7	SP-CLAMP-1253	Clamp for 1253