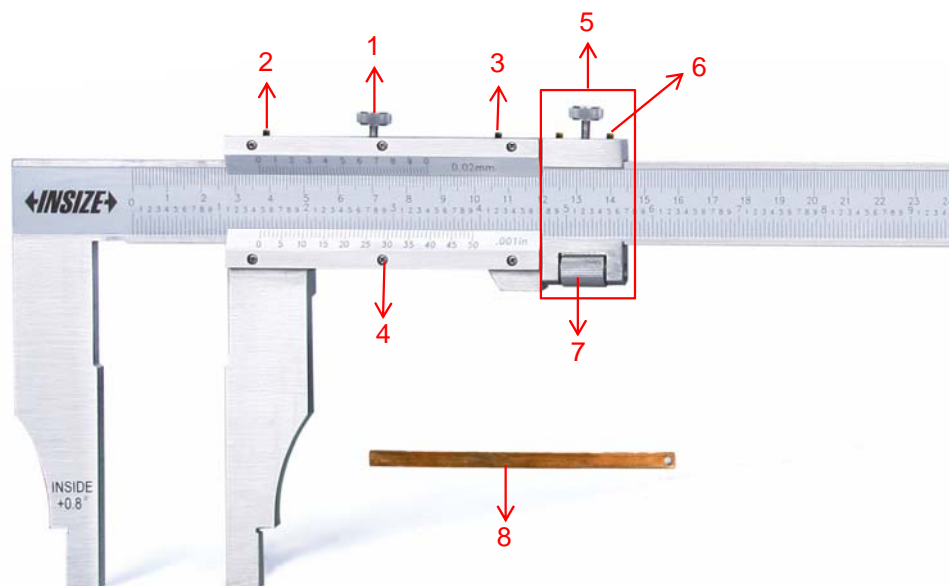


Spare parts for vernier caliper 1211 series



Part NO.	Code	Description
1	SP-LOCK SCREW-1211	Locking screw for 1211-12
	SP-LOCK SCREW-1214	Locking screw for 1211-24
	SP-LOCK SCREW-1214-1	Locking screw for 1211-40
2	SP-STRIP SCREW1 -1214	Strip screw for 1211-12
	SP-STRIP SCREW1 -1214-1	Strip screw for 1211-24
	SP-STRIP SCREW1-1214-2	Strip screw for 1211-40
3	SP-STRIP SCREW2 -1214	Strip screw for 1211-12
	SP-STRIP SCREW2 -1214-1	Strip screw for 1211-24
	SP-STRIP SCREW2-1214-2	Strip screw for 1211-40
4	SP-FIX SCREW -1	Screw for vernier tablet 1211-12
	SP-FIX SCREW -2	Screw for vernier tablet 1211-24
	SP-FIX SCREW -3	Screw for vernier tablet 1211-40
5	SP-ADJUST DEVICE-1214	Fine adjustment device for 1211-12
	SP-ADJUST DEVICE-1214-1	Fine adjustment device for 1211-24
	SP-ADJUST DEVICE-1214-2	Fine adjustment device for 1211-40
6	SP-FINE ADJUST SCREW-1214	Fine adjustment screw for 1211-12
	SP-FINE ADJUST SCREW-1214-1	Fine adjustment screw for 1211-24
	SP-FINE ADJUST SCREW-1214-2	Fine adjustment screw for 1211-40
7	SP-ROLLER-1214-1	Roller for 1211-12
	SP-ROLLER-1214-2	Roller for 1211-24
	SP-ROLLER-1214-3	Roller for 1211-40
8	SP-STRIP-1214-1	Copper strip for 1211-12
	SP-STRIP-1214-2	Copper strip for 1211-24
	SP-STRIP-1214-3	Copper strip for 1211-40