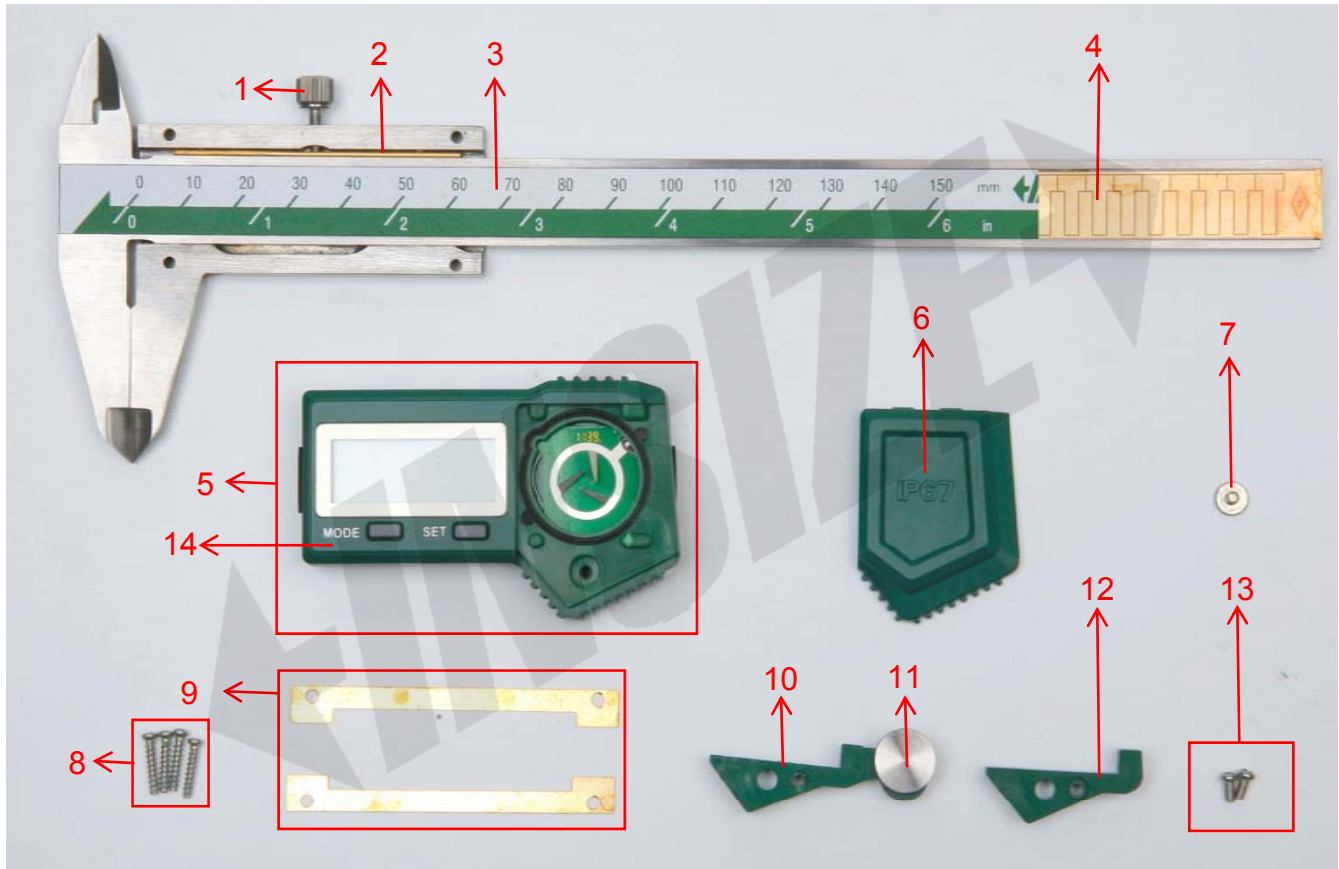


Spare parts for digital caliper 1118 series



Part NO.	Code	Description
1	SP-LOCK-D1	Locking screw(-150/-200/-300)
2	SP-STRIP-1118B	Copper strip
3	SP-STICKER-C150-7	Sticker(-150)
	SP-STICKER-C200-7	Sticker(-200)
	SP-STICKER-C300-7	Sticker(-300)
4	SP-FIXED GRID-1118-150	Fixed grid(-150)
	SP-FIXED GRID-1118-200	Fixed grid(-200)
	SP-FIXED GRID-1118-300	Fixed grid(-300)
5	SP-CHIP-1118B	Display unit for 1118 series(include part NO. 6)
6	SP-COVER-1118B	Battery cover
7	SP-STOP-D6	Stop screw
8	SP-CHIP SCREW-1118B	Chip fixed screw
9	SP-COPPER BACKING-1118B	Copper backing
10	SP-BLOCK-1118BW-1	Thumb wheel support(-150/200)
	SP-BLOCK-1118BW-2	Thumb wheel support(-300)
11	SP-WHEEL-GL1	Thumb wheel(-150)
	SP-WHEEL-GL2	Thumb wheel(-200)
	SP-WHEEL-GL3	Thumb wheel(-300)
12	SP-BLOCK-1118BW-3	Support without thumb roller
13	SP-FIXED SCREW-1118B	Fixed screw for support and battery cover
14	SP-1118B-CHIPCOVER-2	Chipcover(include part NO.6 and glass)