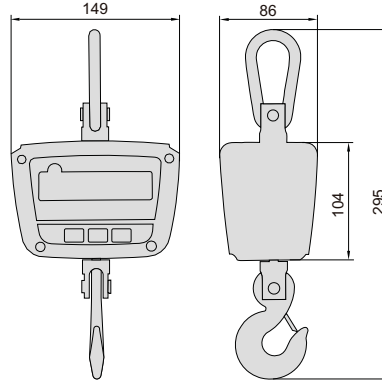


ELECTRONIC CRANE SCALES

IP65
WATERPROOF

Unit: mm

- Dust/waterproof level: IP65
- LED display, remote control
- Low voltage indicator
- Unit: kg, lb
- Automatic power off
- Overload alarm
- 360° safe rotary hook and shackle
- Aluminum alloy die casting case with high strength



Remote controller
(included)

8201-150KG

STANDARD DELIVERY

| | |
|-------------------|-----|
| Main unit | 1pc |
| Remote controller | 1pc |
| Battery charger | 1pc |

SPECIFICATION

| Code | 8201-50KG | 8201-150KG | 8201-300KG |
|-----------------------|--|---------------|---------------|
| Maximum capacity | 50kg | 150kg | 300kg |
| Minimum capacity | 0.4kg | 1.0kg | 2.0kg |
| Resolution | 0.02kg/0.01kg | 0.05kg/0.02kg | 0.10kg/0.05kg |
| Operating temperature | -10~40°C | | |
| Operating humidity | 30%~90% RH | | |
| Overload alarm | 100%F.S.+9e | | |
| Maximum safe load | 125%F.S. | | |
| Limited overload | 400%F.S. | | |
| Power supply | rechargeable battery 6V/3Ah (for 40 hours working) | | |
| Stable reading time | ≤8s | | |