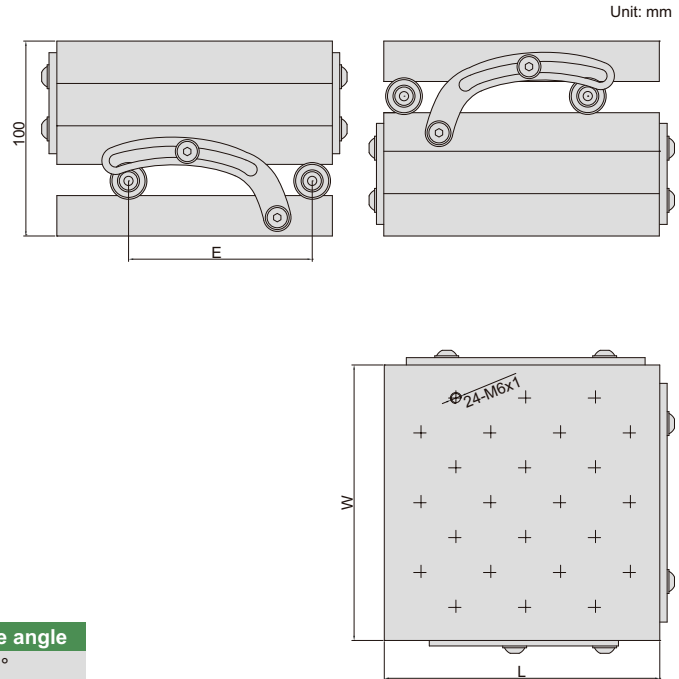


COMPOUND SINE TABLE



6536-100

- Accuracy of angle: $\pm 15''$
- Made of alloy tool steel
- Hardness HRC58-60



Code	Roller distance (E)	Table size (LxW)	Adjustable angle
6536-100	100mm	150x150mm	0-60°