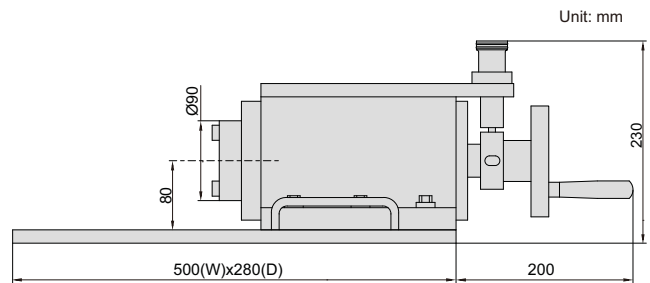


SHANK RUNOUT TESTER



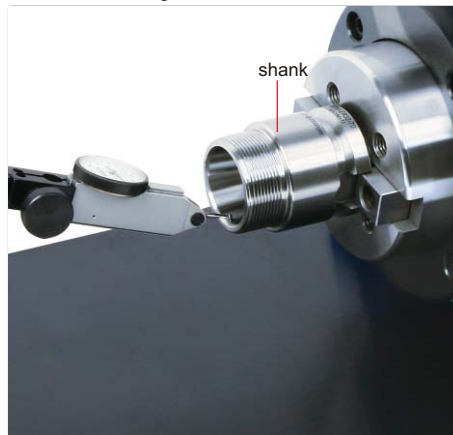
4771-30



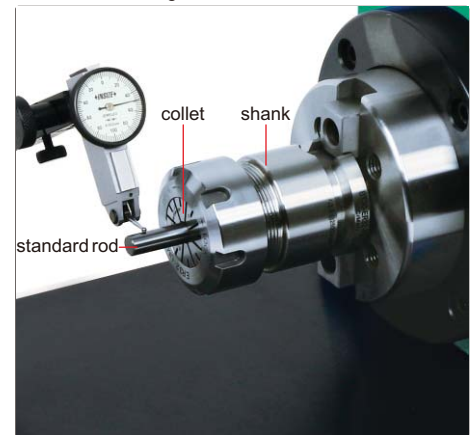
- Measuring the radial runout of shanks, collets and cutting tools
- Optional accessory: dial test indicator, magnetic stand

Code	Taper	Accuracy
4771-30	BT30	1µm
4771-40	BT40	1µm
4771-50	BT50	1µm

measuring radial runout of shank



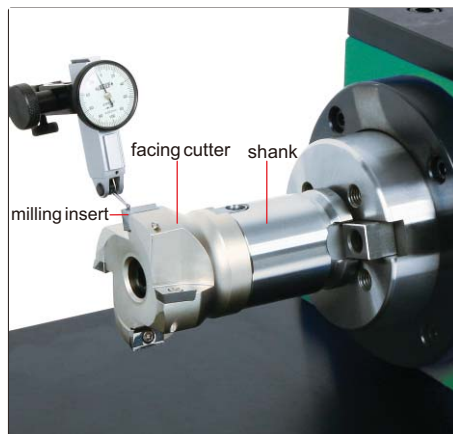
measuring radial runout of collet



standard shank(included)



measuring radial runout of cutter



measuring radial runout of end mill

