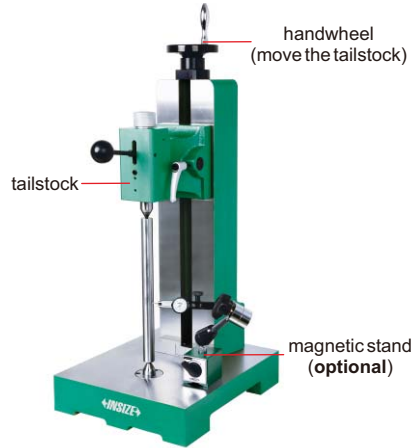
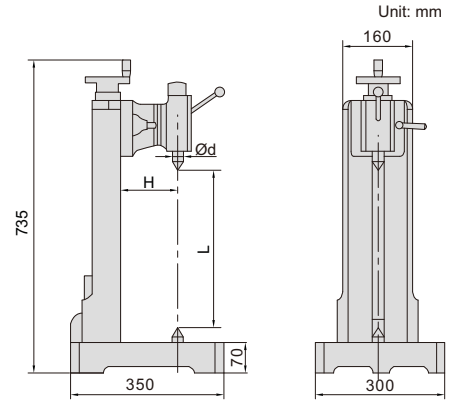


VERTICAL BENCH CENTER



4728-360

- Hardened cast-iron guide surface
- Use handwheel to move the tailstock
- Optional accessory: magnetic stand, dial test indicator



(mm)

Code	Parallelism*	Runout accuracy	Center height (H)	Distance between two centers (L)	Diameter of center (Ød)	Taper of center	Weight	Load
4728-360	0.01mm	2µm	130	360	24.1	MT3	85kg	80kg

*Parallelism of two centers to the guide surface