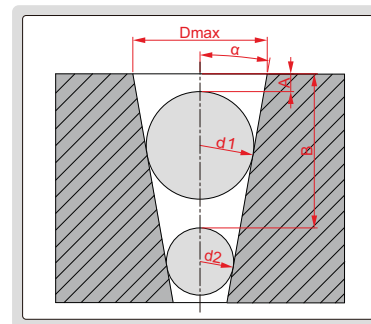


# STEEL BALL SET



4168-S25

Calculate angle ( $\alpha$ ) and diameter ( $D_{max}$ ) according to the ball diameter ( $d_1$ ,  $d_2$ ), height ( $A$ ) and depth ( $B$ )



- To measure angle and diameter of taper holes
- Each size has a pair of steel ball
- Material: tool steel
- Hardness: HRC63
- Diameter accuracy:  $\pm 2\mu\text{m}$
- Roundness:  $0.6\mu\text{m}$
- Supplied with manufacturer inspection certificate

Code	Diameter (mm)	Steel balls per set
4168-S25	1, 2, 3, 4, 5, 6, 7, 8, 9, 10, 11, 12, 13, 14, 15, 16, 17, 18, 19, 20, 21, 22, 23, 24, 25	25 pairs