

EXTERNAL SCREW THREAD MICROMETERS

INSIZE PLUS
MADE IN GERMANY

dial indicator is not included

tips are not included

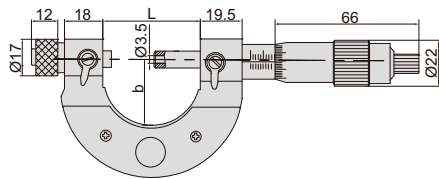
tips are not included



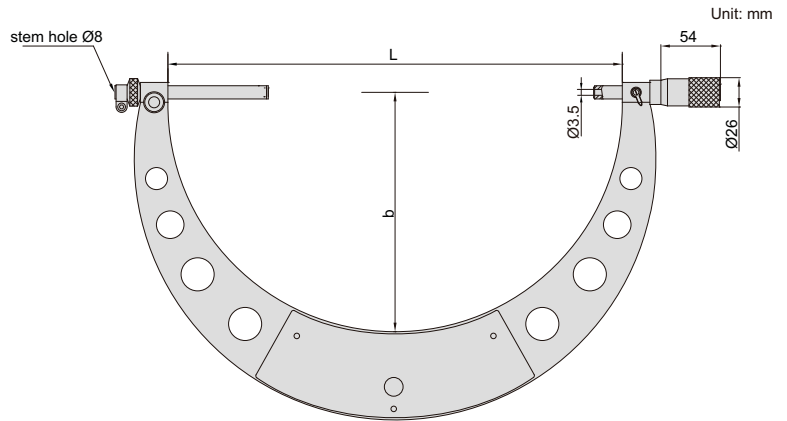
3639-25



3639-3001



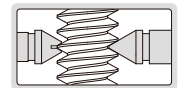
Type A



Type B

Unit: mm

- Meet DIN863-3
- Measure pitch diameter of screw thread
- Graduation 0.01mm
- Optional accessory: measuring tips and setting standards for external screw thread micrometer (code **7384**), dial indicators or digital indicators (reading 0.01mm or 0.001mm) (only for type B)



Type A (ratchet thimble) (mm)

Code	Range	Accuracy	L	b
3639-25	0-25mm	4µm	45	31
3639-50	25-50mm	4µm	70	35
3639-75	50-75mm	5µm	95	48.5
3639-100	75-100mm	5µm	120	60
3639-125	100-125mm	6µm	145	72.5
3639-150	125-150mm	6µm	170	80
3639-175	150-175mm	7µm	195	97.5
3639-200	175-200mm	7µm	220	110
3639-225	200-225mm	8µm	245	122

Type B (without ratchet thimble) (mm)

Code	Range	Anvil retracting range	L	b
3639-2001	100-200mm	3mm	217	109
3639-3001	200-300mm	3mm	317	159
3639-4001	300-400mm	3mm	417	209