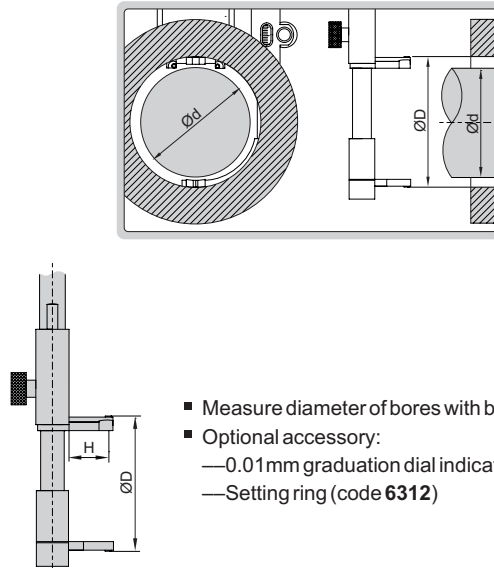
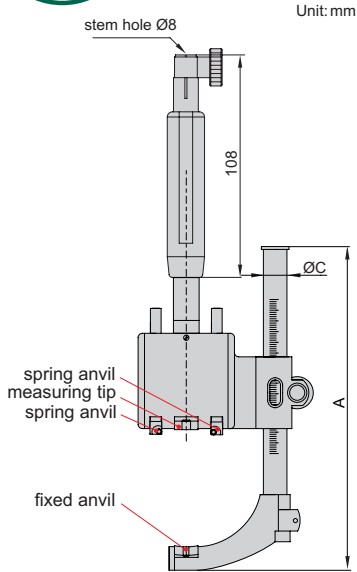


# BORE GAGE



ATTENTION: NOT SUITABLE FOR 0.001MM DIAL INDICATORS

MEASURE DIAMETER OF BORES WITH BARRIER INSIDE



- Measure diameter of bores with barrier inside
- Optional accessory:
  - 0.01mm graduation dial indicators
  - Setting ring (code 6312)

dial indicator is not included



2432-105

(mm)

Code	Range ØD	Diameter of barrier Ød	Travel of measuring tip	Measuring depth H	Accuracy (without dial indicator)	Measuring force	A	ØC
2432-70	25-70mm	<D-6(less than 45mm)*	2.5	12	0.01	1.5N	115	10
2432-105	35-105mm	<D-11(less than 70mm)*	3.0	18	0.01	2.5N	150	11
2432-210	100-210mm	<D-20(less than 130mm)*	3.5	30	0.015	2.5N	233	15
2432-280	100-280mm	<D-20(less than 130mm)*	3.5	30	0.015	2.5N	303	15
2432-500	200-500mm	<D-20(less than 240mm)*	3.5	30	0.02	2.5N	622	30

\* For example, range of 2432-70 is 25-70mm, diameter of barrier is <D-6(less than 45mm)  
 When measuring size is 40mm, D-6=34mm, so the maximum diameter of barrier is 34mm.  
 When measuring size is 60mm, D-6=54mm, however it should be less than 45mm, so the maximum diameter of barrier is 45mm.