

# WATERPROOF DIGITAL PROTRACTOR (HEAVY DUTY)

**IP54**  
WATERPROOF

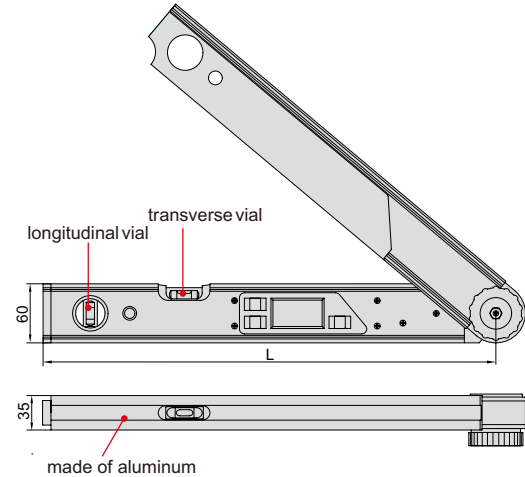
**ABSOLUTE**  
LEVEL

**AUTOMATIC**  
BACKLIGHT

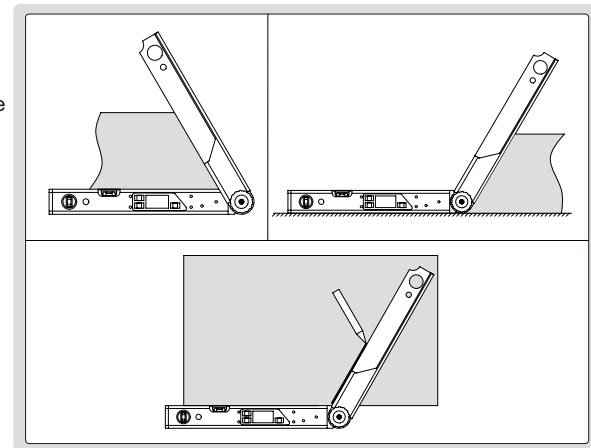
Unit: mm



**2174-225**



- Suitable for setting horizontal and vertical mitre angles of cutting machine
- Buttons: ON/OFF, HOLD/SUP, SPR/CNR/MTR/BVL
- IP54 dust/waterproof
- With transverse and longitudinal vials
- 2xAAA batteries
- Absolute level, zero setting is not needed when batteries are replaced
- Backlight will turn off in one minute after no data changing, automatic power off in 5 minutes



Code	Size (L)	Range	Resolution	Accuracy
2174-225	460mm	0 - 225°	0.05°	±0.10°