

DIGITAL DEPTH GAGE (60° KNIFE EDGE BASE)

DATA
OUTPUT

- Button function: on/off, zero, inch/mm, ABS, data preset, change measuring direction
- CR2032 battery, automatic power off
- Data output
- Stainless steel base with 60° knife edge
- Optional accessory: data output cable (code 7306-40, 7302-SPC3A, 7305-SPC1A, 7305-C01)

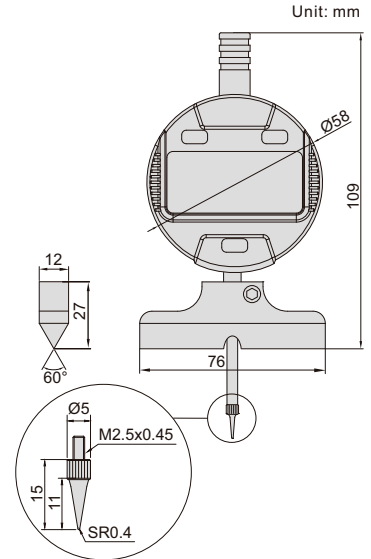


front view



side view

2143-101



Code	Range	Digital indicator stroke	Digital indicator resolution	Accuracy
2143-101	0-12.7mm/0-0.5"	12.7mm/0.5"	0.01mm/0.0005"	±20µm