

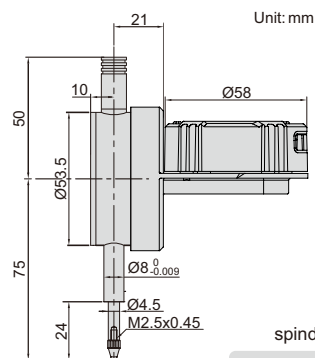
# BACK PLUNGER TYPE DIGITAL INDICATOR



DATA OUTPUT



2118-10



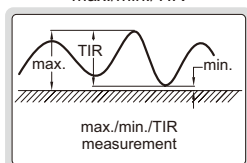
spindle lift knob is included



analog pointer



max./min./TIR



display direction is changeable



Remark: To change above direction, 4 fixing screws on the back of display need to be removed first.

- Display can rotate 320°, display direction is changeable
- Reading in digit and analog
- Button function: tolerance Go and No-Go display, data preset, measuring direction change, max./min./TIR measurement, inch/metric conversion, absolute/incremental measurement
- CR2032 battery, automatic power off
- Data output
- Optional accessory: data output cable (code 7306-40, 7302-SPC3A, 7305-SPC1A), backs, contact points

display can rotate 320°



Code	Range	Resolution	Accuracy	Hysteresis	Remark
2118-10*	12.7mm/0.5"	0.01mm/0.0005"	20µm	10µm	flat back
2118-101*	12.7mm/0.5"	0.001mm/0.00005"	5µm	2µm	flat back

\* Supplied with manufacturer inspection certificate traceable to NIST USA