

DIGITAL V TYPE CALIPERS

DIRECT READING,
CALCULATION IS NOT REQUIRED

DATA
OUTPUT

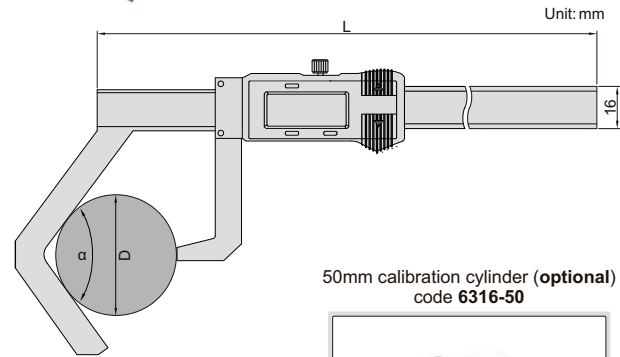


1529-5

data output cable (optional)
code 7302-SPC9



- Measure the outside diameter of odd number of flutes (such as taps, reamers, end mills and gears)
- Direct reading, calculation is not required
- Resolution: 0.01mm/0.0005"
- Buttons: mm/inch, on/off, origin set
- Battery LR44, automatic power off
- After automatic power off, move the digital unit to turn on power
- Data output
- Made of stainless steel
- Optional accessory: 50mm calibration cylinder (code 6316-50), data output cable (code 7302-SPC9)



50mm calibration cylinder (optional)
code 6316-50



(mm)

Code	Range(D)	Flutes	Accuracy	Angle α	L
1529-3	50-200mm/2-8"	3	±0.06mm	60°	390
1529-5	50-200mm/2-8"	5	±0.06mm	108°	318
1529-19	50-200mm/2-8"	19	±0.06mm	85°15'47'	336
1529-23	50-200mm/2-8"	23	±0.06mm	70°26'5'	362
1529-31	50-200mm/2-8"	31	±0.06mm	75°29'2'	355