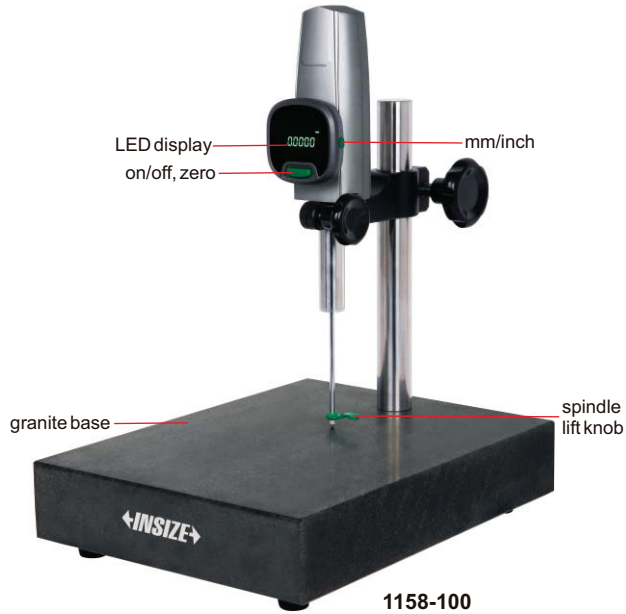
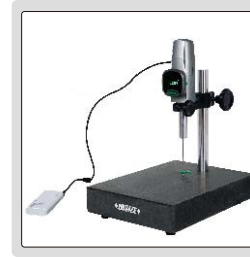


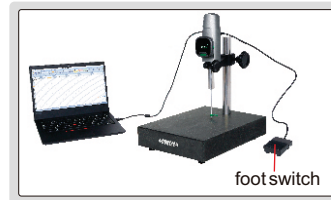
LARGE RANGE DIGITAL HEIGHT GAGE



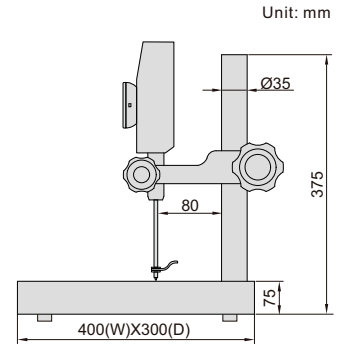
- High stability, high precision, high response speed (5000mm/s)
- High brightness LED display
- Granite base flatness: 3 μ m



power supplied by charge pal



data transmitted to Excel without software



Code	Range	Resolution	Accuracy (20°C)	Measuring force	Output	Power supply
1158-100	0~100mm	0.1 μ m/0.000005" (can switch to: 1 μ m/0.00005")	3 μ m	1.0~1.5N	USB	5V/1A (adapter or charge pal)

STANDARD DELIVERY

Main unit	1 pc
-----------	------

OPTIONAL ACCESSORY

Contact point	code 6282
Charge pal	1155-5-POB
Data output cables (including foot switch)	1155-5-FOS