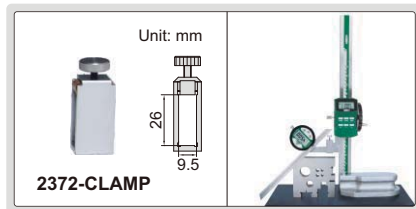


DATA  
OUTPUT

ABSOLUTE  
ZERO

## DIGITAL PROTRACTOR (BASIC TYPE)

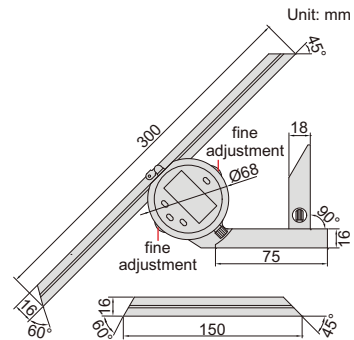
clamp for height gages (optional)



150mm blade (included)

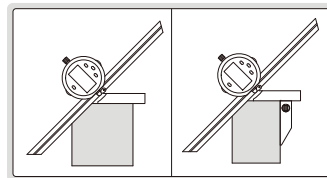


300mm blade (included)

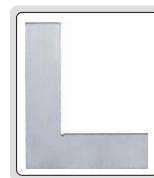


- Absolute zero, zero setting is not needed when batteries are replaced
- Button function: choose 0~90°, 0-180° or 0-360° display, change resolution, display flips over, data hold, zero, on/off supplementary angle measurement
- Battery CR2032, automatic power off, data output
- Made of stainless steel
- Optional square for zero setting
- Optional accessory: clamp (code **2372-CLAMP**), suitable for height gages **1156**, **1150-300**, **1351**, **1250** and **1151**, data output cable (code **7315-2771**, **7302-50M**)

Code	Range	Resolution	Accuracy
<b>2771-360</b>	0-360°	1'/0.01°	±5'



square (optional)



**Square**  
(for zero setting,  
optional)

Code  
**2771-S90**