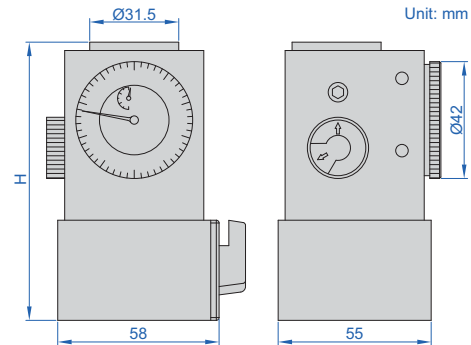
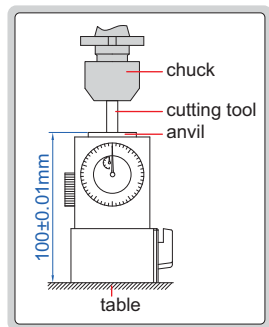


ZERO SETTER

- Magnetic base with on-off switch



2394-100A

Code	Height (H)	Graduation	Accuracy	Test force
2394-100A	100mm	0.01mm	$\pm 0.01 \text{ mm}$	9N (at 100mm)