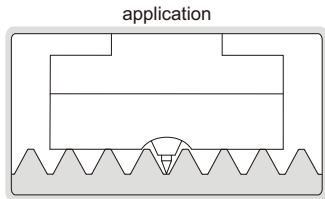


DIGITAL THREAD HEIGHT MEASURING INSTRUMENT

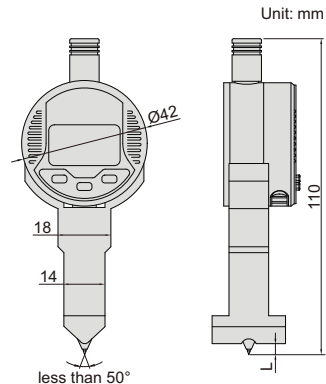
MEET INTERNATIONAL
STANDARD API5B



- Measure the height of external thread and internal thread with nominal diameter larger than 5 1/2" (139.7mm)
- Optional accessory: data output cable (code **7315-50M**, **7302-40M**), thread height standard blocks (code **6250**)



2242-35



Code	Range (L)	Resolution	Accuracy
2242-35	0-0.135"/0-3.5mm	0.0005"/0.01mm	0.02mm