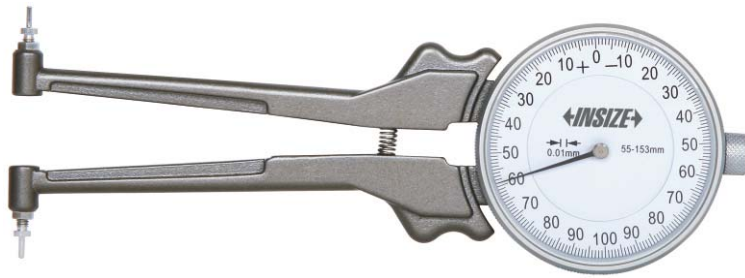
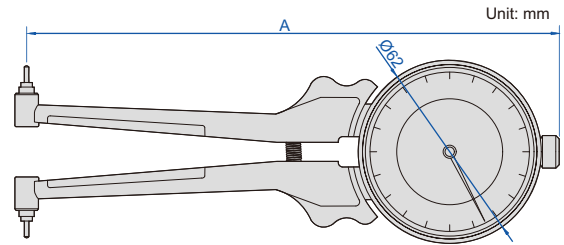


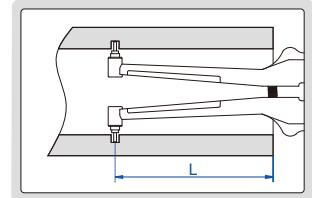
INTERNAL DIAL CALIPER GAGES WITH INTERCHANGEABLE POINTS



2223-153

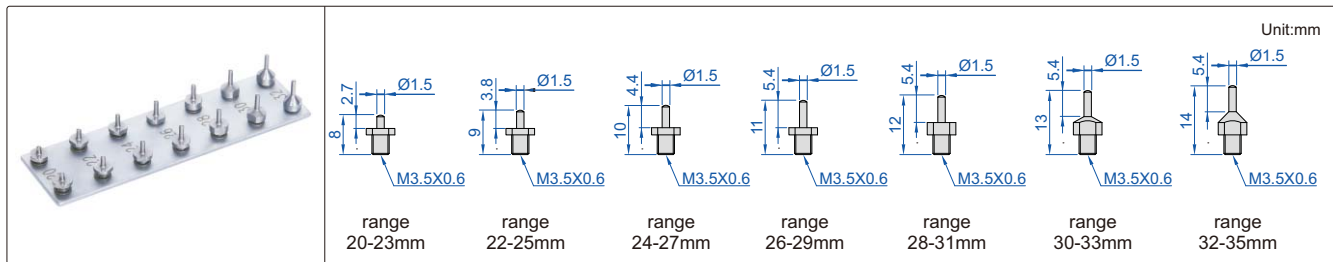


Unit: mm



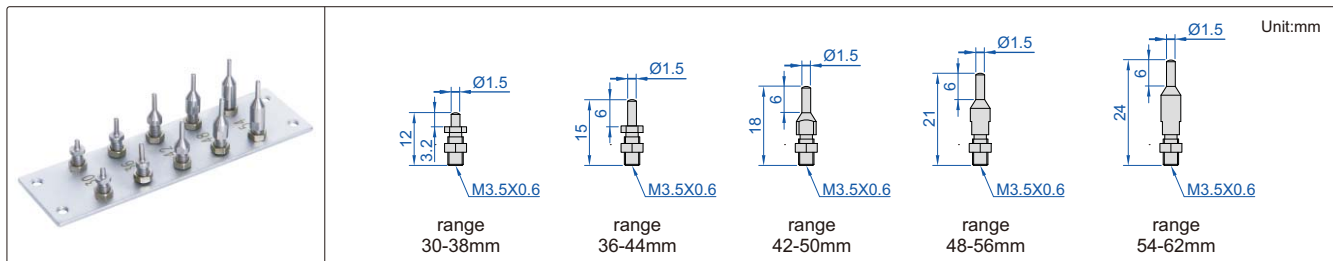
Code	Range	Dial indicator range	Graduation	Accuracy	A	L	Remark
2223-35	20-35mm	2mm	0.01mm	±0.02mm	164mm	<70mm	supplied with 7 pairs of points
2223-62	30-62mm	2mm	0.01mm	±0.02mm	170mm	<75mm	supplied with 5 pairs of points
2223-153	55-153mm	2mm	0.01mm	±0.02mm	179mm	<90mm	supplied with 6 pairs of points

2223-35 points (included)



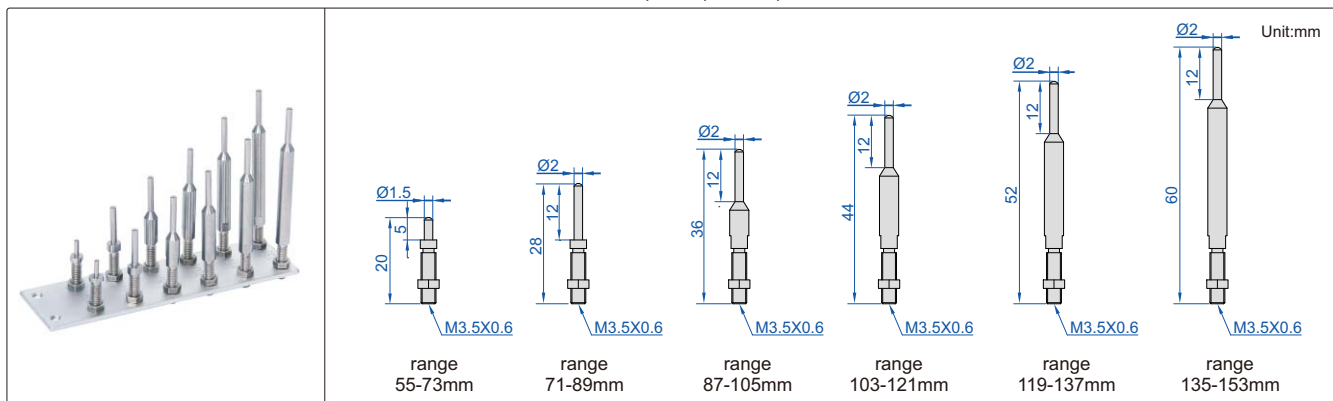
Unit:mm

2223-62 points (included)



Unit:mm

2223-153 points (included)



Unit:mm