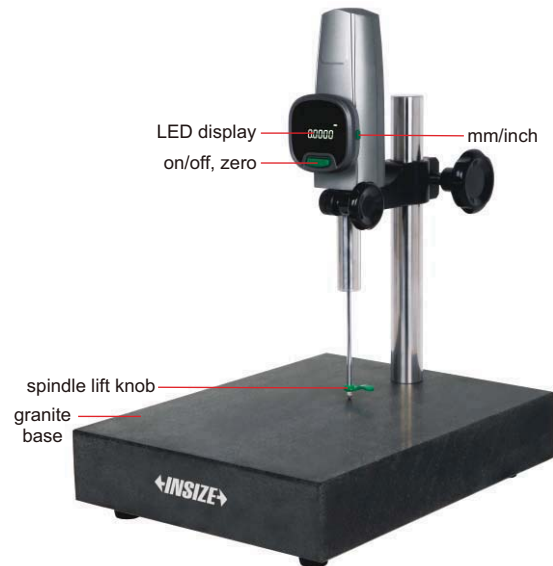
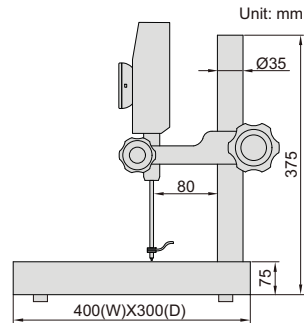


LARGE RANGE DIGITAL HEIGHT GAGE

DATA
OUTPUT

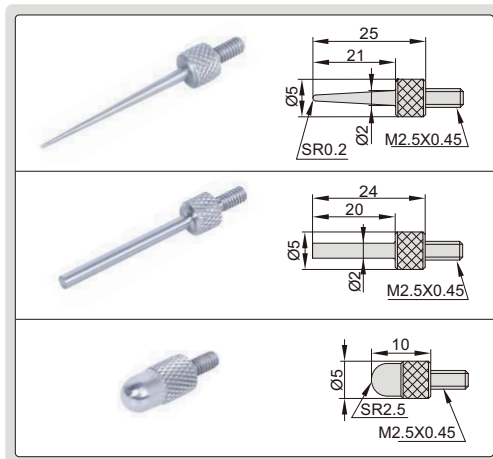
- High stability, high precision, high response speed (5000mm/s)
- High brightness LED display
- Granite base flatness: 3μm



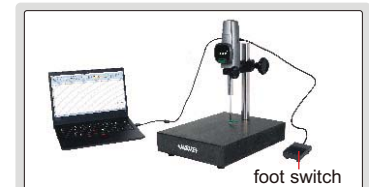
1158-100

measuring tips (included)

unit: mm



power supplied by charge pal



data transmitted to Excel without software; short press the foot switch to transmit data, long press to zero

Code	Range	Resolution	Accuracy (20°C)	Measuring force	Output	Power supply
1158-100	0~100mm	0.1μm/0.000005" (can switch to: 1μm/0.00005")	3μm	0.8~1.2N	USB	5V/1A (adapter or charge pal)

STANDARD DELIVERY

Main unit	1 pc
-----------	------

OPTIONAL ACCESSORY

Contact point	code 6282
Charge pal	1155-5-POB
Data output cable (including foot switch)	1155-5-FOS